

MF301D Datasheet

MEDIUM-FLOW PRESSURE REGULATOR
FOR DIVING APPLICATIONS



● Gas ● Liquid | ● Diaphragm ● Piston | ● Self-Venting ● Non-Venting | Max Inlet: 300 bar (4,350 psi) | Max Outlet: 300 bar (4,350 psi) | Cv 2.0



INTRODUCING THE MF301D...

The MF301D is a piston-sensed non-venting or self-venting regulator, designed specifically for diving applications.

It offers a **balanced main valve** as standard for maximum inlet and control pressures of up to 300 bar (4,350 psi). A baffle plate has been incorporated to reduce turbulence underneath the sensor for very accurate pressure control.

In addition, the MF301D is supplied cleaned and degreased to ASTM G93 Level C.

SPECIFICATION

Outlet Ranges	Up to 300 bar (4,350 psi)
Design Proof Pressure	150% max. working pressure
Seat Leakage	In accordance with ANSI/FCI 70-3
Weight	3.25kg (7.2lbs)

Note: Pressure regulator rating may be limited by connection type, Cv and/or seat material. Contact the office for specific pressure requirements.

FEATURES AND BENEFITS

1 PISTON SENSING ELEMENT

Perfect for use in challenging conditions.

2 BAFFLE PLATE ADDED

Reduces turbulence underneath the sensor.

3 ASTM G93 LEVEL C

Supplied cleaned and degreased to ASTM G93 Level C, as standard.

4 LOWER ENTRY PLUG

For simplified seat servicing.

STANDARD MATERIALS OF CONSTRUCTION

PART	MATERIALS
Body and Bonnet	Brass High Tensile CZ114/CW721R (UNS C67500) <i>Approx. Temperatures: -196°C to 204°C</i>
Main Valve Pin	ASTM A479 316/316L Stainless Steel
Soft Seat	PCTFE (Kei-F) <i>Approx. Temperatures: -196°C to 180°C</i>
Valve Spring	ASTM A479 S42 Stainless Steel (UNS S43100) <i>Approx. Temperatures: -196°C to 538°C</i>
Piston	ASTM A479 316/316L Stainless Steel
Handwheel	Nylon
O-Rings	FKM/FPM (Viton) <i>Approx. Temperatures: -20°C to 200°C</i>
Loading Spring	Silicon Chrome Wire

For the full list of material temperature ranges, please visit www.pressure-tech.com.

Note: Temperature details are provided as nominal values for guidance purposes only. No warranty is made, expressed or implied. Contact the office for specific temperature requirements.

Product availability and specifications contained herein are subject to change without notice. Consult local distributor or factory for potential revisions and/or service related issues. Pressure Tech Ltd support with product selection recommendations only - it is the users responsibility to ensure the product is suitable for their specific application requirements.



PRESSURE TECH LTD

Unit 24, Graphite Way, Hadfield, Glossop, Derbyshire, UK, SK13 1QH
T +44 (0)1457 899 307
E sales@pressure-tech.com
W www.pressure-tech.com

DESIGNED, MANUFACTURED AND BUILT IN THE UK

141021

PAGE:
1 OF 4

MF301D Datasheet

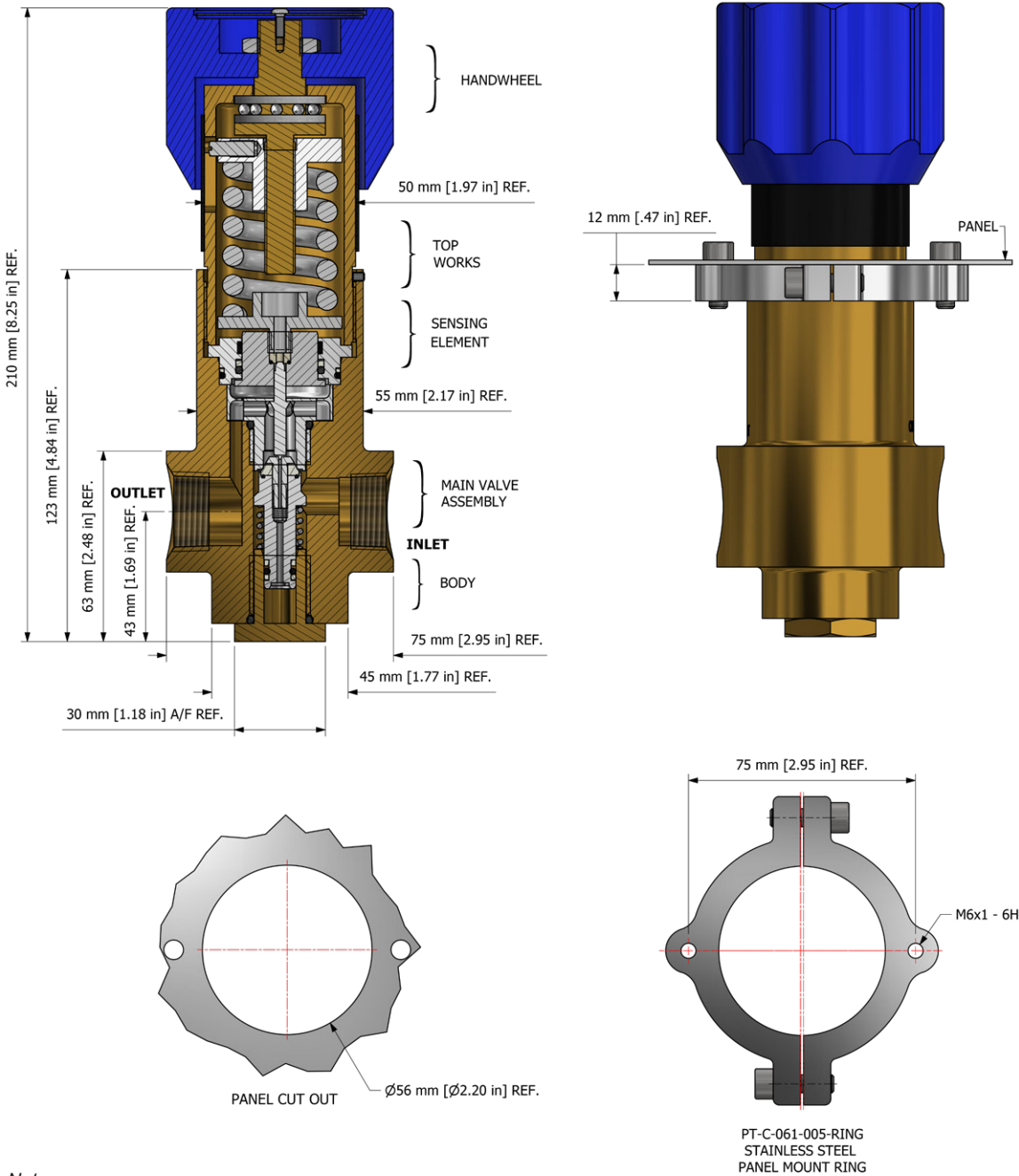
MEDIUM-FLOW PRESSURE REGULATOR
FOR DIVING APPLICATIONS



Gas
 Liquid
 Diaphragm
 Piston
 Self-Venting
 Non-Venting
 Max Inlet: 300 bar (4,350 psi)
 Max Outlet: 300 bar (4,350 psi)
 Cv 2.0

DRAWINGS AND INSTALLATION DIMENSIONS

Dimensions shown for 3/4" NPT option - please contact the office for additional connections options.



Note:

All gauge ports are 1/4" NPT as standard.

Product availability and specifications contained herein are subject to change without notice. Consult local distributor or factory for potential revisions and/or service related issues. Pressure Tech Ltd support with product selection recommendations only - it is the users responsibility to ensure the product is suitable for their specific application requirements.



PRESSURE TECH LTD

Unit 24, Graphite Way, Hadfield, Glossop, Derbyshire, UK, SK13 1QH
 T +44 (0)1457 899 307
 E sales@pressure-tech.com
 W www.pressure-tech.com

DESIGNED, MANUFACTURED AND BUILT IN THE UK

141021

PAGE:
2 OF 4

MF301D Datasheet

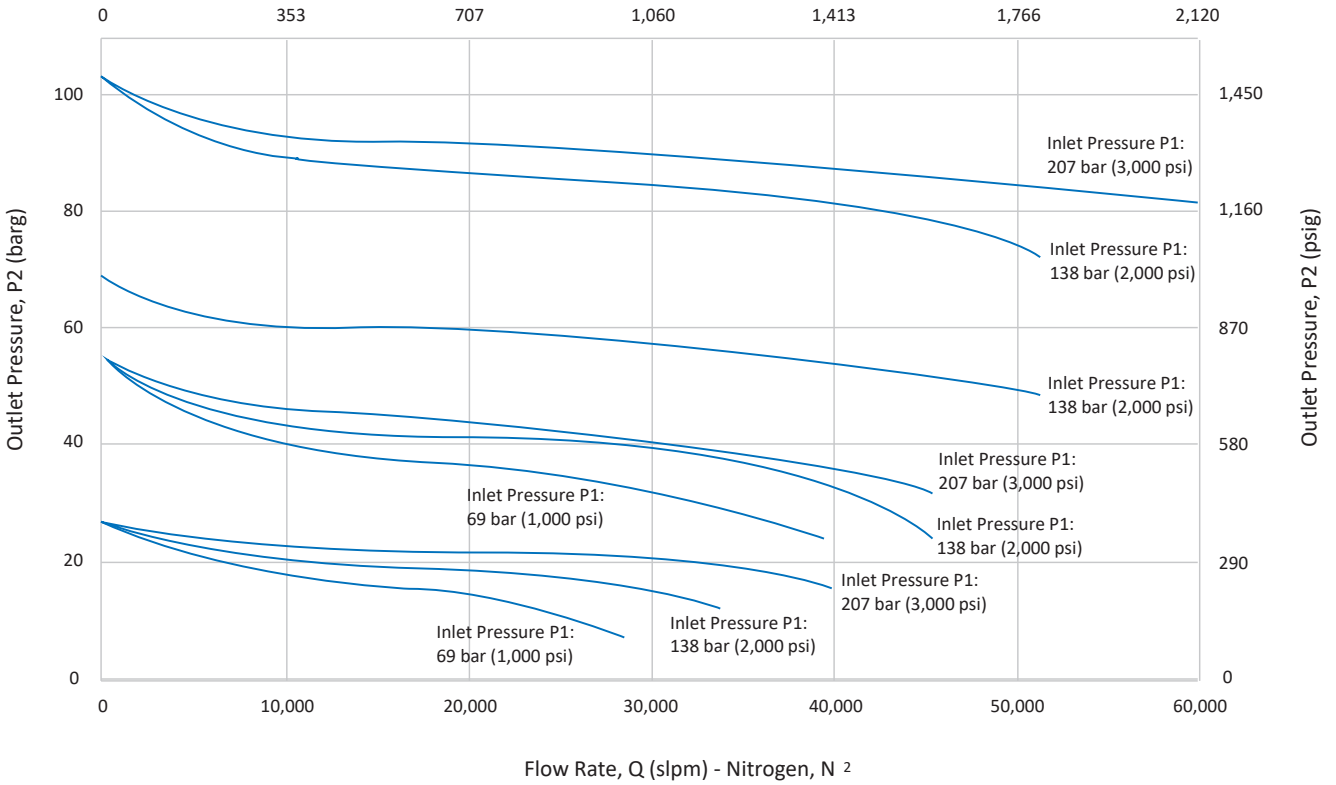
MEDIUM-FLOW PRESSURE REGULATOR
FOR DIVING APPLICATIONS

PRESSURE TECH

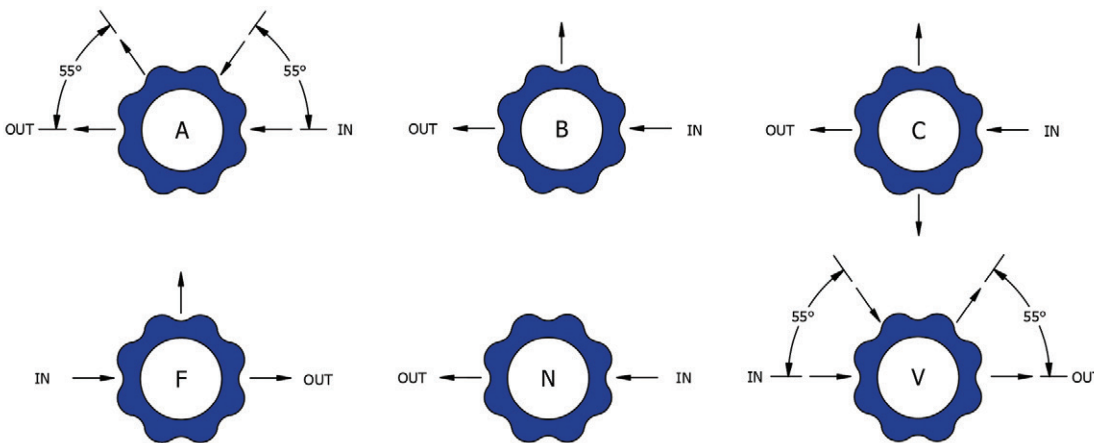
Gas
 Liquid
 Diaphragm
 Piston
 Self-Venting
 Non-Venting
 | Max Inlet: 300 bar (4,350 psi)
 | Max Outlet: 300 bar (4,350 psi)
 | Cv 2.0

FLOW CURVE

Flow Rate, Q (sfcm) - Nitrogen, N₂



PORTING CONFIGURATIONS



Note:

Additional porting configurations are available - please contact the office for further information.

Product availability and specifications contained herein are subject to change without notice. Consult local distributor or factory for potential revisions and/or service related issues. Pressure Tech Ltd support with product selection recommendations only - it is the users responsibility to ensure the product is suitable for their specific application requirements.



PRESSURE TECH LTD

Unit 24, Graphite Way, Hadfield, Glossop, Derbyshire, UK, SK13 1QH
 T +44 (0)1457 899 307
 E sales@pressure-tech.com
 W www.pressure-tech.com

DESIGNED, MANUFACTURED AND BUILT IN THE UK

141021

PAGE:
3 OF 4

MF301D Datasheet

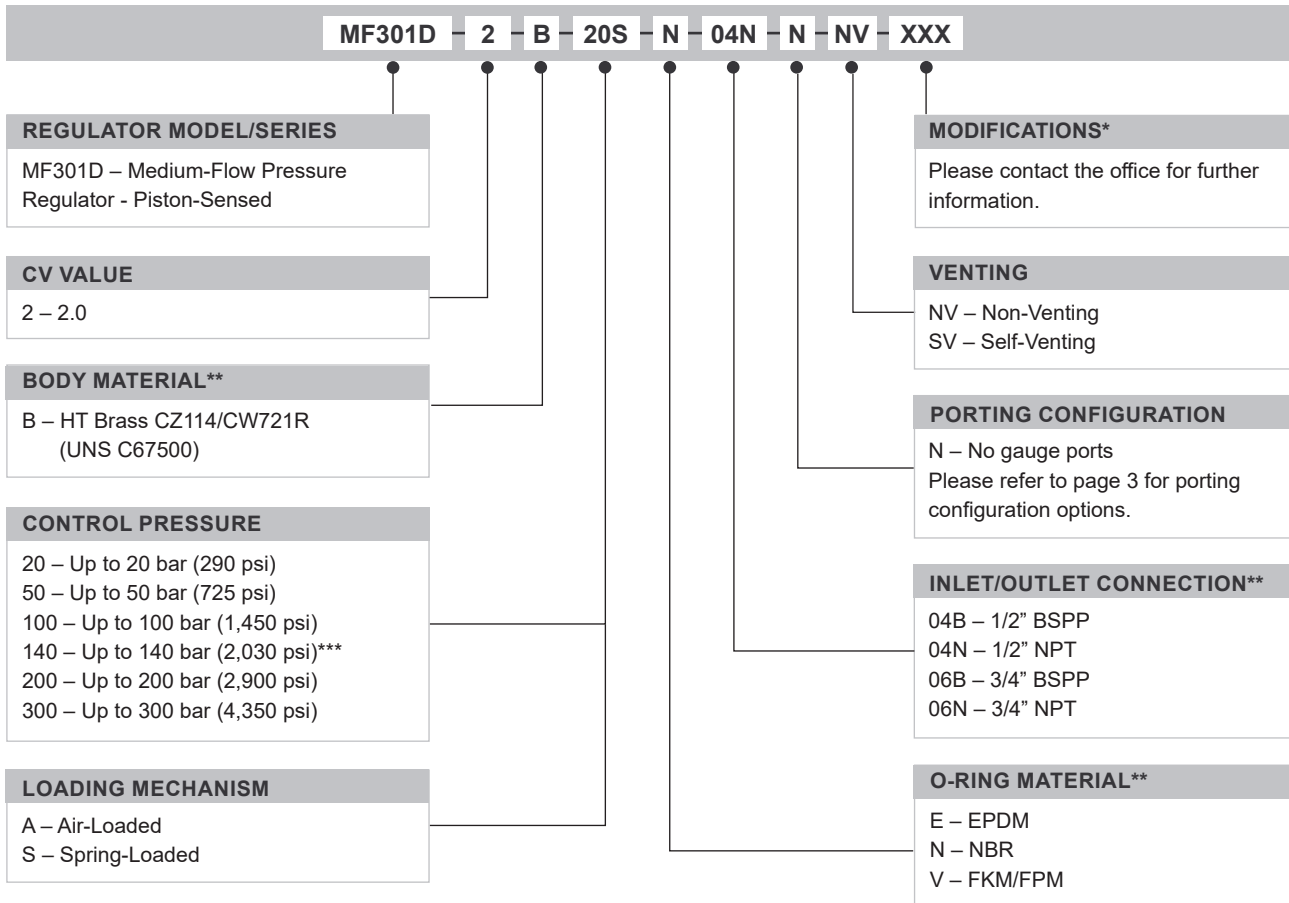
MEDIUM-FLOW PRESSURE REGULATOR
FOR DIVING APPLICATIONS



Gas
 Liquid
 Diaphragm
 Piston
 Self-Venting
 Non-Venting
 Max Inlet: 300 bar (4,350 psi)
 Max Outlet: 300 bar (4,350 psi)
 Cv 2.0

ORDERING INFORMATION

To build a Pressure Tech part number, simply combine the characters identified below in sequence:



OPTIONAL EXTRAS		
	PART NUMBER	DESCRIPTION
Service Kit	SRK-MF301-2-B...	Various 'Balanced' options available
Panel Mount Ring	PT-C-061-005-RING	Stainless steel panel mount ring

Note:
Ancillary equipment also available

* Where applicable
 ** Other connections/materials may be available - please contact the office
 *** Air-loaded only

Product availability and specifications contained herein are subject to change without notice. Consult local distributor or factory for potential revisions and/or service related issues. Pressure Tech Ltd support with product selection recommendations only - it is the users responsibility to ensure the product is suitable for their specific application requirements.



PRESSURE TECH LTD
 Unit 24, Graphite Way, Hadfield, Glossop, Derbyshire, UK, SK13 1QH
 T +44 (0)1457 899 307
 E sales@pressure-tech.com
 W www.pressure-tech.com